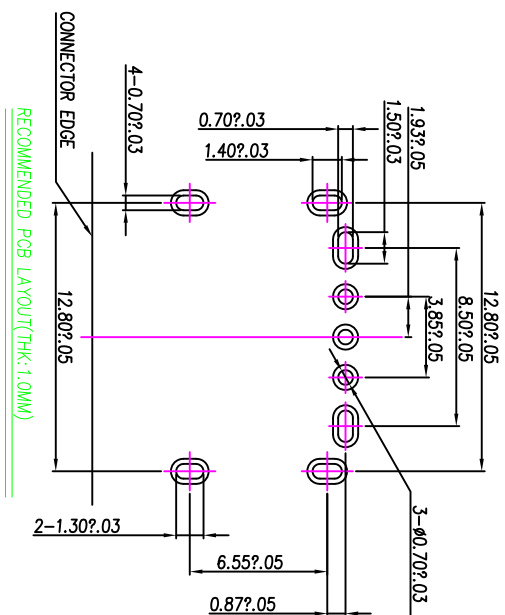


3D VIEW

SEC. A-A

NOTE:
 *Products comply with RoHS requirements
 *Material:
 1.Housing: PA9T UL94V-0
 2.Terminal: Bronze(T=0.25mm)
 3.Shell: SUS201(T=0.3mm)
 *Electrical Characteristics:
 1.CONTACT RESISTANCE: 30mΩ MAXIMUM
 2.CONTACT CURRENT RATING: 4A at VBUS and GND PIN
 3.DIELECTRIC WITHSTANDING VOLTAGE: 500 V R.M.S.
 4.INSULATION RESISTANCE 1000 MEGOHMS MIN
 5.OPERATING TEMPERATURE: -40# ~ 85#
 *Mechanical Characteristics:
 1.MATING FORCE: 3.57kg MAX
 2.UNMATED FORCE: 1.02kg MIN
 3.DURABILITY: MANDATORY: 5,000 CYCLES



Rev.	Changed by	Date	ECN No.
A1	JANUARY	2011-01-15	